

# WeTech®

## USER MANUAL

# DP1-1702USB

Article number: 600230

Thank you for purchasing a WeTech® product. This user manual contains important safety and operating instructions for your desk programming station (DP). Before using your DP, read this manual and all warning instructions with care in order to avoid possible danger.



DP1-1702USB



DP1-1702USB with Adapter Plate

This product is suitable for charging and programming **SEPURA SC20** radios with an original rechargeable battery.

With an additional **Adapter Plate** (Article number 500655) is charging and programming **SEPURA SC21** possible, too.

## Safety instructions

1. Installation and the first start of the system should only be done by qualified technicians.
2. Using rechargeable batteries not explicitly listed in this document may lead to fire.
3. The contacts of the product should be cleaned at regular intervals with a dry cloth. Do not use water or other liquids.
4. Please **do not** use DP1-1702USB to charge **SEPURA STP8000** and **STP9000**. Radio device and DP may be damaged due to a different Pin assignment.

## Scope of delivery

The following items are included in the scope of delivery:

- 1x DP1-1702USB
- 1x USB A to USB B cable
- 1x Power supply for 230V

## Start of the system

1. Place the DP at a suitable place. Ensure a safe stand!
2. Connect the delivered power cable to the power connection (D) at the device and a socket.
3. Connect the delivered USB A to USB B cable to USB B socket (E) at the device and USB A socket at your PC.
4. After Windows installed all drivers the usage of DP is possible on condition defaults of programming software provider

### Advice

If Windows do not find any driver, please download at <https://ftdichip.com/drivers/vcp-drivers/>.

### Advice

Please observe technical specifications of radio producer for programming of radio devices.

---

**Adapter Plate** for use 1702 series for SEPURA SC21:

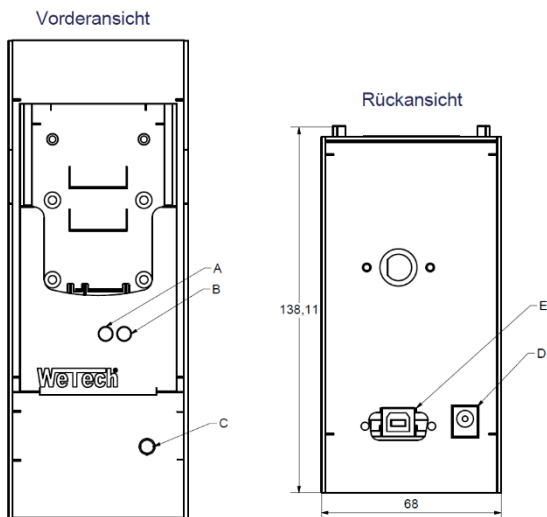


**ATTENTION: NOT INCLUDED IN SCOPE OF DELIVERY!**

## Functions

The charging bracket is used for quick charging and maintaining charge. The table below provides information about the function of the displays and the connections of the unit.

Pos.	Designation	Status	Description
<b>A</b>	Green LED	on	Battery detected.
		off	Battery not detected. Contact with the radio unit may not have been established properly.
<b>B</b>	Red LED	on	Quick charging active. Battery capacity under 80%
		off	Quick charging inactive. Battery capacity over 80%
<b>C</b>	Red LED	on	Electricity supply is given
<b>D</b>	Power connection		Power connection for delivered power cable
<b>E</b>	USB B socket		Data interface to PC



Schematic drawing DP1-1702USB

## Technical data

Designation	Value
Working voltage (car kit)	12V / 24V
Working voltage (Power supply)	230V
Output current	max. 800mA
Power consumption of car kit	max. 10W
Degree of protection	IP20
Measurements in mm	70 x 145 x 144
Weight without accessory	0,588 kg

## Additional instructions

### CE conformity declaration



For this product, we confirm that it meets the requirements set forth in the Directive of the Council for Conformity of Legal Regulations of Member States regarding Electromagnetic Compatibility. This declaration applies to all units manufactured in accordance with the production drawings included as a component of this declaration.

### WEEE (this symbol applies only in the European Union)



This symbol indicates that the product so labelled may not be disposed of with normal household waste. If you want to dispose of this product, obey the corresponding national laws and regulations in your country or community. The correct disposal of this product supports environmental protection and prevents possible damage to the environment and human health.

### Contact

This product was manufactured in Germany by:

WEMPE Elektronik GmbH  
Leinenweberstr. 6  
DE-36251 Bad Hersfeld

phone: +49 6621 9240-0  
fax: +49 6621 9240-44  
website: [www.wetech.de](http://www.wetech.de)  
e-mail: [info@wetech.de](mailto:info@wetech.de)

